

Autonics PULSE METER MP5S/Y/W Series INSTRUCTION MANUAL



MP5S MP5Y MP5W
Thank you for choosing our Autonics product.
Please read the following safety considerations before use.

Safety Considerations

※ Please observe all safety considerations for safe and proper product operation to avoid hazards.
※ ⚠ symbol represents caution due to special circumstances in which hazards may occur.

- Warning** Failure to follow these instructions may result in serious injury or death.
- Caution** Failure to follow these instructions may result in personal injury or product damage.

Warning

- Fail-safe device must be installed when using the unit with machinery that may cause serious injury or substantial economic loss.** (e.g. nuclear power control, medical equipment, ships, vehicles, railways, aircraft, combustion apparatus, safety equipment, crime/disaster prevention devices, etc.)
Failure to follow this instruction may result in personal injury, economic loss or fire.
- Do not use the unit in the place where flammable/explosive/corrosive gas, high humidity, direct sunlight, radiant heat, vibration, impact, or salinity may be present.**
Failure to follow this instruction may result in explosion or fire.
- Install on a device panel to use.**
Failure to follow this instruction may result in fire or electric shock.
- Do not connect, repair, or inspect the unit while connected to a power source.**
Failure to follow this instruction may result in fire or electric shock.
- Check 'Connections' before wiring.**
Failure to follow this instruction may result in fire or electric shock.
- Do not disassemble or modify the unit.**
Failure to follow this instruction may result in fire or electric shock.

Caution

- When connecting the power/measurement input and relay output, use AWG 24(0.20mm²) to AWG 15(1.65mm²) cable and tighten the terminal screw with a tightening torque of 0.98 to 1.18N·m.**
Use the wiring suitable for the load current capacity.
Failure to follow this instruction may result in fire or malfunction due to contact failure.
- Use the unit within the rated specifications.**
Failure to follow this instruction may result in fire or product damage.
- Use dry cloth to clean the unit, and do not use water or organic solvent.**
Failure to follow this instruction may result in fire or electric shock.
- Keep the product away from metal chip, dust, and wire residue which from flowing into the unit.**
Failure to follow this instruction may result in fire or product damage.

Ordering Information

MP	5	Y	-	4	N
Output	Main output (Comparative value output)		Sub output (Display value output)		
S	N	Indicator	—		
N	1	Indicator	—		
Y	1	NPN open collector quintuple output	—		
	2	PNP open collector quintuple output	—		
	3	Indicator	BCD dynamic output		
	4	Indicator	PV transmission output (current output)		
	5	Indicator	RS485 comm. output		
	6	Relay triple output (H, GO, L)	—		
N	A	Indicator	—		
	1	Relay quintuple output (HH, H, GO, L, LL)	—		
	2	Relay triple output (H, GO, L)	—		
W	1	NPN open collector quintuple output	BCD dynamic output		
	2	NPN open collector quintuple output	PV transmission output (current output)		
	4	NPN open collector quintuple output	PV transmission output (current output)		
	5	PNP open collector quintuple output	PV transmission output (current output)		
	8	NPN open collector quintuple output	RS485 comm. output		
	9	PNP open collector quintuple output	RS485 comm. output		
Power supply	2	24VAC ~ 50/60Hz, 24-48VDC			
	4	100-240VAC ~ 50/60Hz			
Size	S	DIN W48×H48mm			
	Y	DIN W72×H36mm			
	W	DIN W96×H48mm			
Digits	5	99999 (5-digit)			
Item	MP	Pulse meter			

※ The above specifications are subject to change and some models may be discontinued without notice.
※ Be sure to follow cautions written in the instruction manual and the technical descriptions (catalog, website).

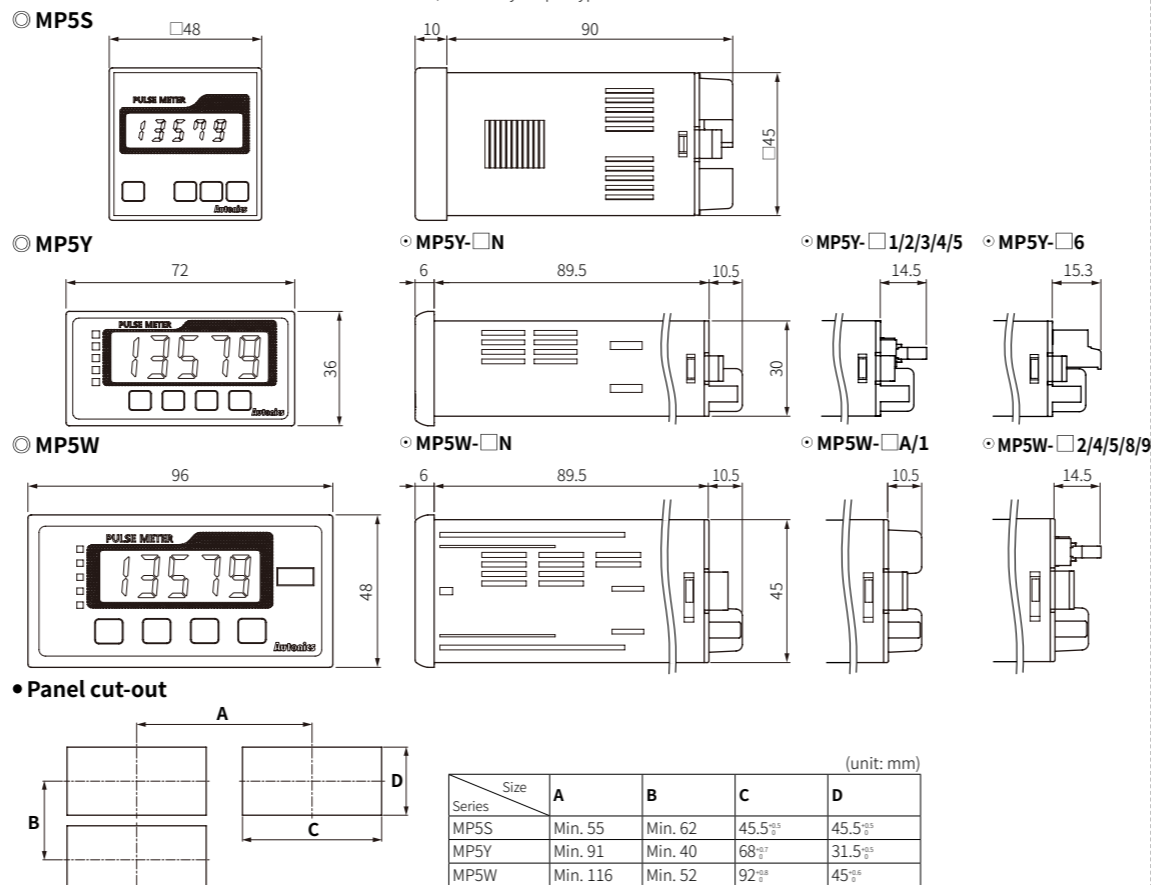
Specifications

Series	MP5S	MP5Y	MP5W
Display method	7-segment LED (zero blanking method)		
Character size	W4×H8mm	W7×H14mm	
Display range	-19999 to 99999		
Power supply	AC voltage: 100-240VAC ~ 50/60Hz AC/DC voltage: 24VAC ~ 50/60Hz, 24-48VDC		
Power consumption	AC voltage: Max. 7.5VA (100-240VAC ~ 50/60Hz) AC/DC voltage: Max. 6VA (24VAC ~ 50/60Hz), Max. 4.5W (24-48VDC)	Max. 9VA (100-240VAC ~ 50/60Hz) Max. 7VA (24VAC ~ 50/60Hz), Max. 6.2W (24-48VDC)	Max. 15VA (100-240VAC ~ 50/60Hz) Max. 11VA (24VAC ~ 50/60Hz), Max. 7W (24-48VDC)
Permissible voltage range	90 to 110% of rated voltage		
External power supply	Max. 12VDC = ±10% 80mA		
Sub power supply	— Max. 24VDC = 30mA		
Input frequency	- Solid state input 1: Max. 50kHz (pulse width: min. 10μs) - Solid state input 2: Max. 5kHz (pulse width: min. 100μs) ※ For F7, F8, F9, F10 operation mode, max. 1kHz (pulse width: min. 500μs) - Contact input: Max. 45Hz (pulse width: min. 11ms)		
Input method	[Voltage input] High: 4.5-24VDC, Low: 0-1VDC, Input impedance: 3.9kΩ [No-voltage input] Short-circuit impedance: Max. 80Ω, Residual voltage: Max. 1VDC, Open-circuit impedance: Min. 100kΩ		
Measurement range	- Operation mode F1, F2, F7, F8, F9, F10 : 0.0005Hz to 50kHz - Operation mode F3, F4, F5, F6 : 0.01 to max. of each time range - Operation mode F11, F12, F13, F16 : 0 to 99999 - Operation mode F14, F15 : -19999 to 99999		
Measurement accuracy (23°C ± 5°C)	- Operation mode F1, F2, F7, F8, F9, F10 : F.S. ± 0.05%rdg ± 1-digit - Operation mode F3, F4, F5, F6 : F.S. ± 0.01%rdg ± 1-digit		
Display cycle	OFF (for F2, F16 operation mode), 0.05, 0.5, 1, 2, 4, 8 sec (same as update output cycle)		
Operation mode	Frequency/Revolutions/Speed (F1), Passing speed (F2), Cycle (F3), Passing time (F4), Time interval (F5), Time differential (F6), Absolute ratio (F7), Error ratio (F8), Density (F9), Error (F10), Length measurement 1 (F11), Interval (F12), Accumulation (F13), Addition/Subtraction-individual input (F14), Addition/Subtraction-phase difference input (F15), Length measurement 2 (F16)		
Prescale function	Direct input method (0.0001 × 10 ⁿ to 9.9999 × 10 ⁿ)		
Hysteresis	0 to 9999 ^{※1}		
Output	Relay triple	250VAC ~ 3A, 30VDC = 3A resistive load	
Main	Relay quintuple	— 250VAC ~ 3A, 30VDC = 3A resistive load	
	NPN/PNP open collector quintuple	Max. 30VDC = 30mA	
	BCD dynamic	Max. 30VDC = 30mA	
Sub	PV transmission	DC4-20mA/DC0-20mA max. load 500Ω	
	Communication	RS485 communication output (Modbus RTU method)	
Memory retention	Non-volatile memory (number of inputs: 100,000 operations)		
Insulation resistance	Over 100MΩ (at 500VDC = megger)		
Dielectric strength	2,000VAC ~ 60Hz for 1 min		
Noise immunity	±2kV the square wave noise (pulse width: 1μs) by the noise simulator		
Vibration	Mechanical	0.75mm amplitude at frequency of 10 to 55Hz in each X, Y, Z direction for 1 hour	
	Malfunction	0.5mm amplitude at frequency of 10 to 55Hz in each X, Y, Z direction for 10 min	
Shock	Mechanical	300m/s ² (approx. 30G) in each X, Y, Z direction for 3 times	
	Malfunction	100m/s ² (approx. 30G) in each X, Y, Z direction for 3 times	
Relay life cycle	Mechanical	— Min. 10,000,000 operations	
	Electrical	— Min. 100,000 operations (250VAC ~ 3A resistive load)	
Environment	Ambient temp.	-10 to 50°C, storage: -20 to 60°C	
	Ambient humi.	35 to 85%RH, storage: 35 to 85%RH	
Approval	CE, RoHS		
Weight ^{※2}	Approx. 191g (approx. 132g)	Approx. 230g (approx. 140g)	Approx. 334g (approx. 210g)

※1: Setting range will vary depending on the decimal point.
※2: The weight includes packaging. The weight in parenthesis is for unit only.
※ Environment resistance is rated at no freezing or condensation.

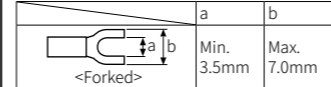
Dimensions

※ Side dimensions of MP5Y/W differ by output type.



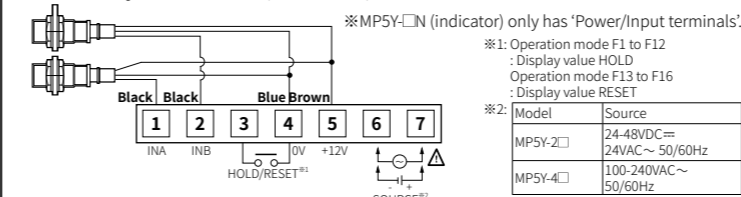
Connections

※ Terminal connections differ by power supply and output type of each series and model.
※ Use terminals of size specified below.



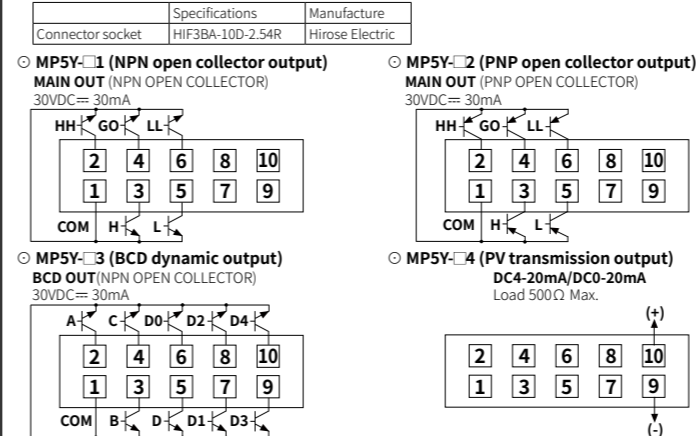
MP5Y

Power/Input Terminal (common)



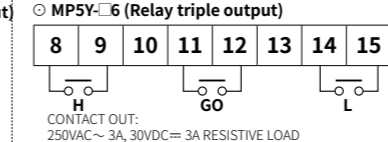
Output Connector (MP5Y-□1 to 5)

※ Hirose connector: HIF3BA-10PA-2.54DS
※ Connector socket specification: Contact the manufacturer for the socket and cable.



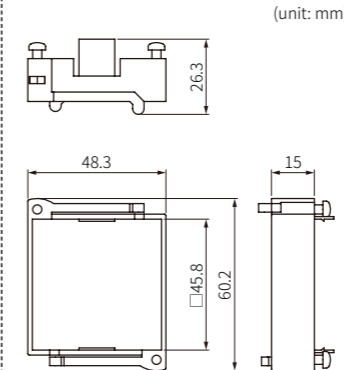
※ Autonics display unit (DS/DA Series) is recommended for stable minus (-) sign display.

Output Terminal (MP5Y-□6)

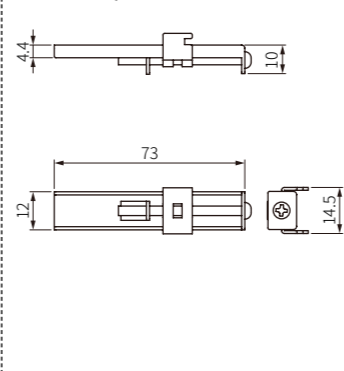


Bracket

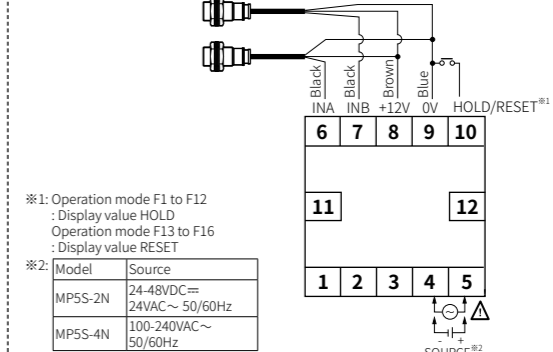
For MP5S



For MP5Y/W



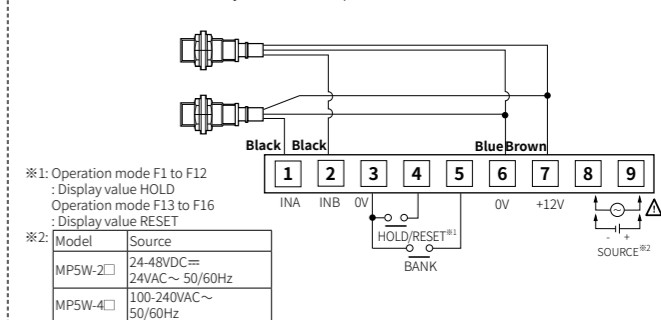
MP5S



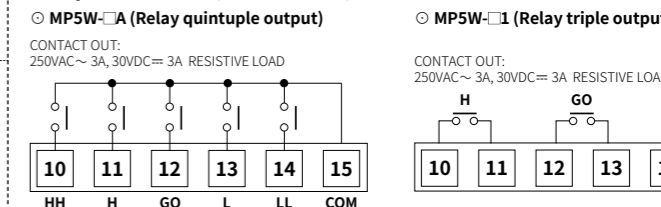
MP5W

Power/Input Terminal (Common)

※ MP5W-□N (indicator) only has 'Power/Input terminals'.

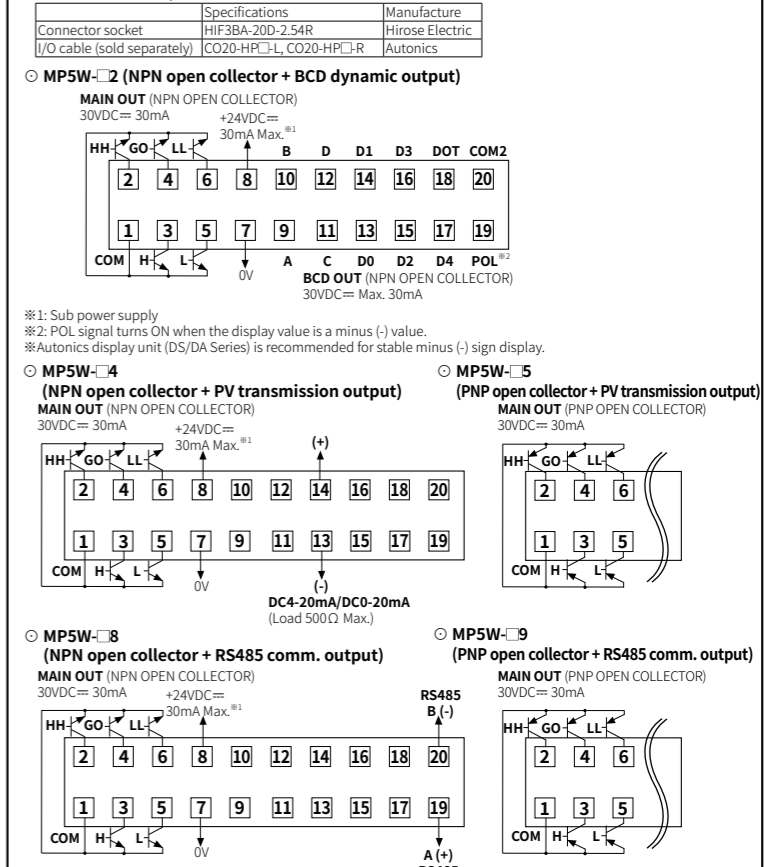


Output Terminal (MP5W-□A/1)



Output Connector (MP5W-□2/4/5/8/9)

※ Hirose connector: HIF3BA-20PA-2.54DS
※ Connector socket specification: Contact the manufacturer for the socket and cable.



※1: Sub power supply
※2: POL signal turns ON when the display value is a minus (-) value.
※ Autonics display unit (DS/DA Series) is recommended for stable minus (-) sign display.

